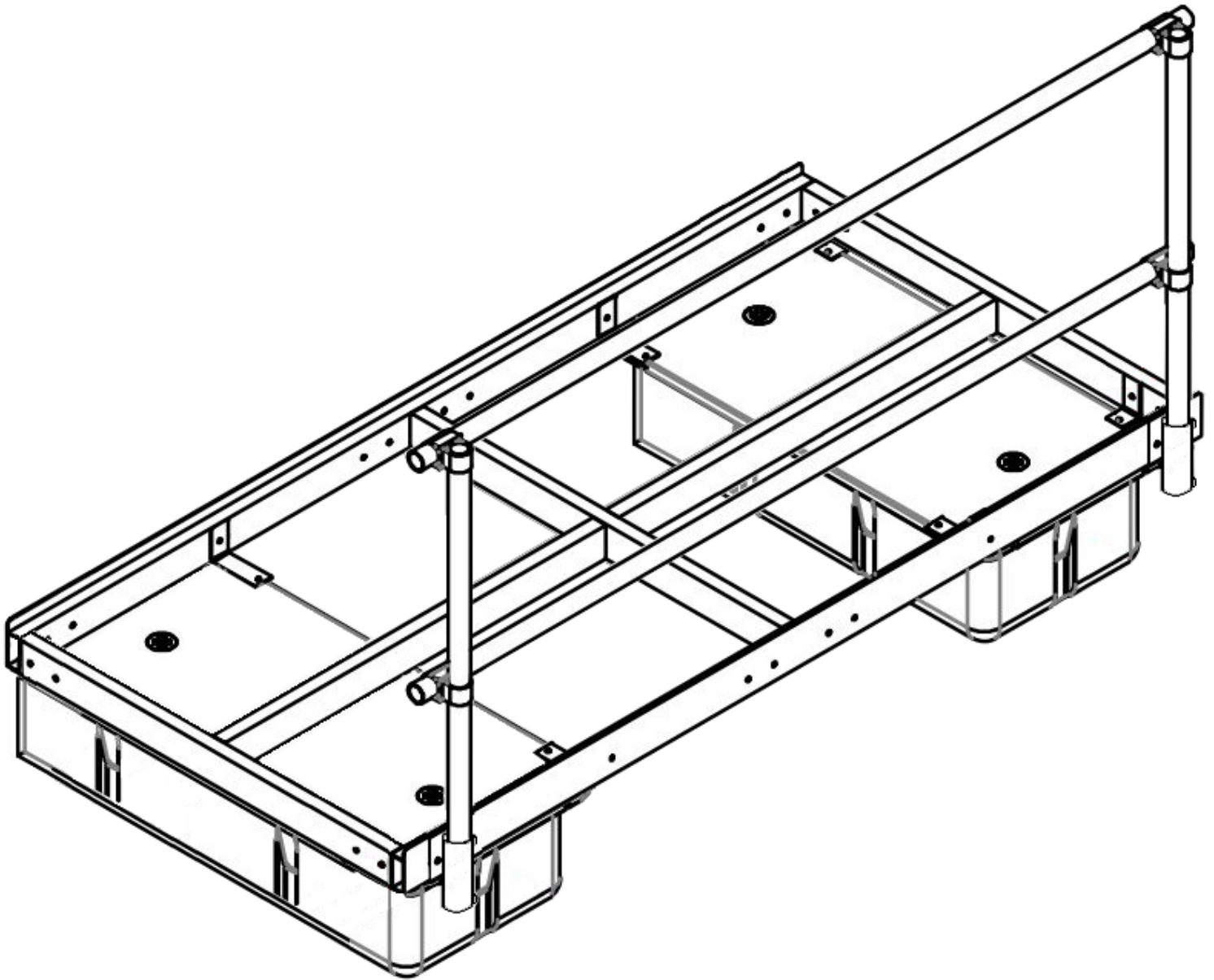




Handrail Installation  
Instructions



## Mounting Handrails

The optional Handrail system is available in 8' or 4' lengths. The handrails are attached to the frame using the same pipe bracket (PN10937). The Handrail Vertical is orientated inward and installed flush with the bottom of the pipe bracket, tighten set screws to secure the Handrail Vertical Support. Next, the Horizontal Handrail Pipe is installed through the sleeves on the Handrail Vertical Supports, tighten the set screws on the Handrail Vertical sleeves to secure the Horizontal Handrail Pipe in place.

