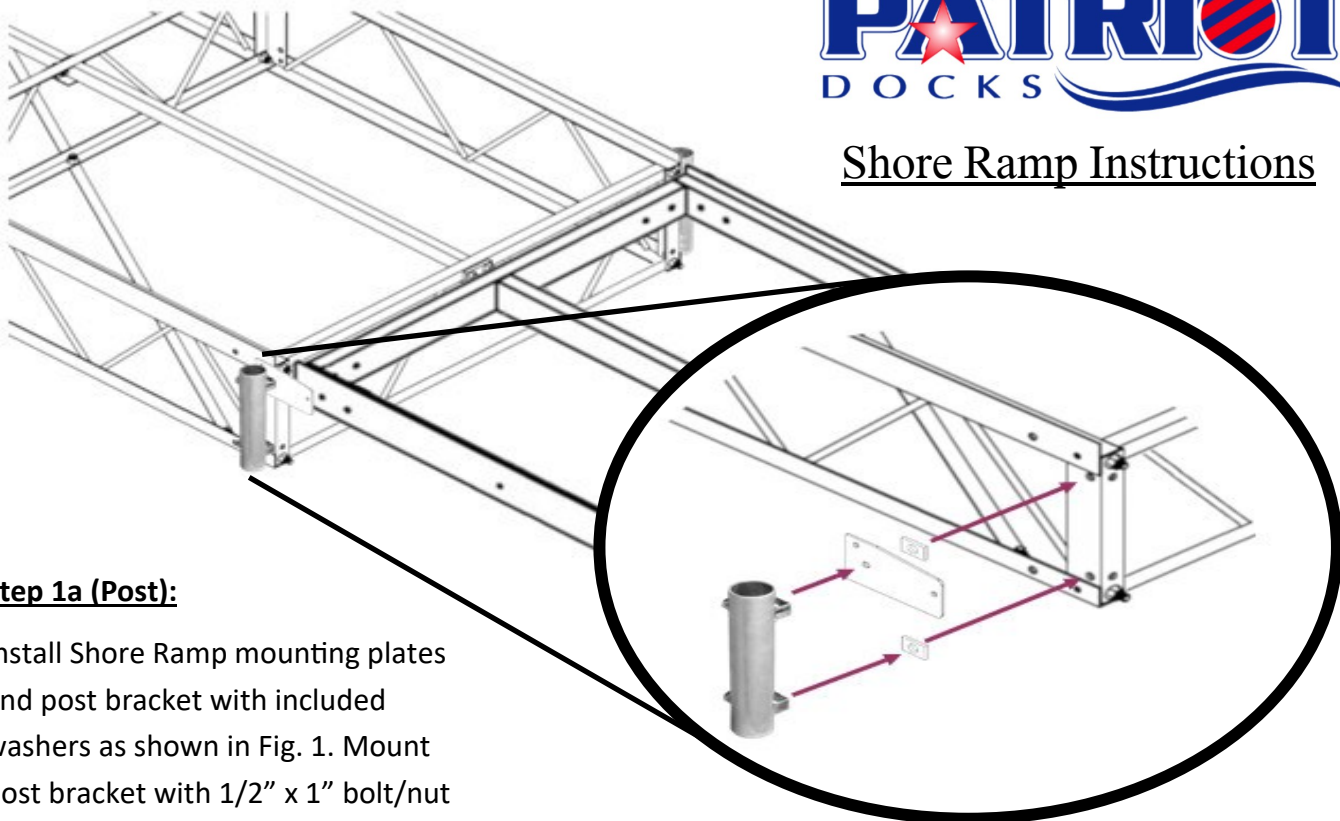


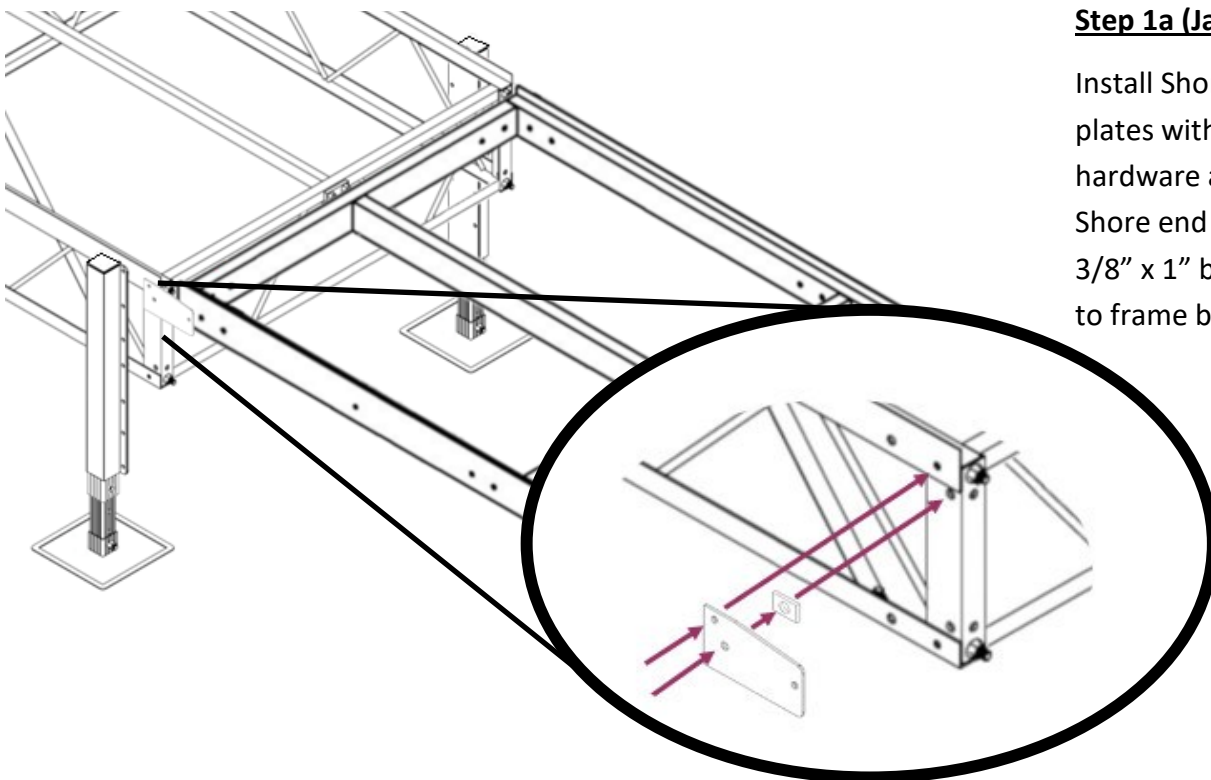
Shore Ramp Instructions



Step 1a (Post):

Install Shore Ramp mounting plates and post bracket with included washers as shown in Fig. 1. Mount post bracket with 1/2" x 1" bolt/nut included in hardware kit. Existing post bracket mounting bolts will not be used.

Fig 1.



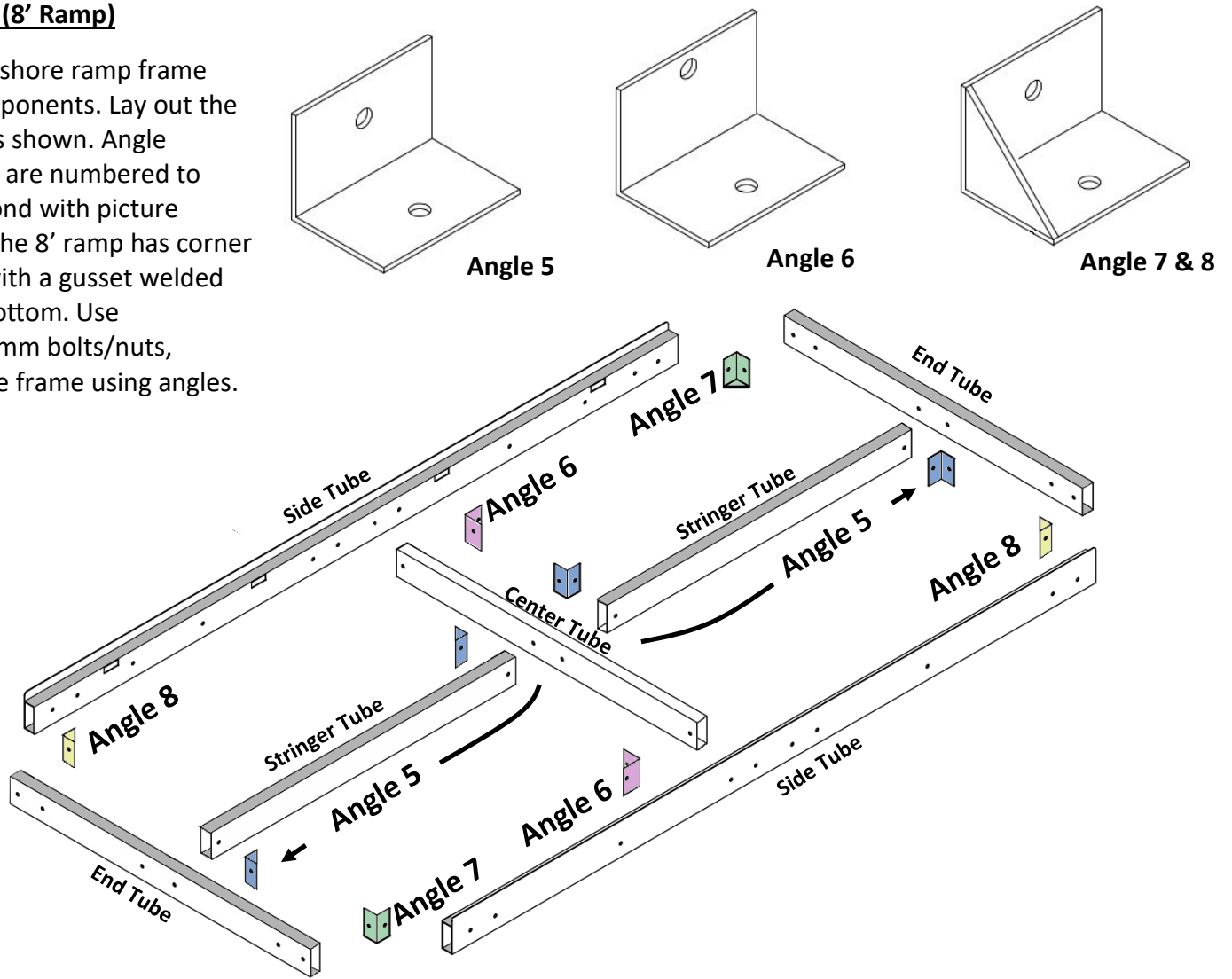
Step 1a (Jack):

Install Shore Ramp mounting plates with included washers and hardware as shown in Fig 2. Install Shore end support or Jack with (2) 3/8" x 1" bolt/nut, attach directly to frame behind mounting plate.

Fig 2.

Step 2a (8' Ramp)

Unwrap shore ramp frame and components. Lay out the pieces as shown. Angle brackets are numbered to correspond with picture below. The 8' ramp has corner angles with a gusset welded to the bottom. Use M10x60mm bolts/nuts, assemble frame using angles.



Step 2b (4' Ramp)

Unwrap and lay out shore ramp frame as shown. All angles are interchangeable. Use M10x60mm bolts/nuts, assemble frame using angles.

Step 3:

Mount Assembled Shore Ramp to dock using 3/8" x 2-1/2" bolts/nylock nuts.

Step 4:

Place decking into assembled Shore Ramp. Secure decking to frame with Patriot's optional Deck lockers or Zip Ties. When using Aluminum Decking install rubber cushion to Shore Ramp frame before laying decking in.

