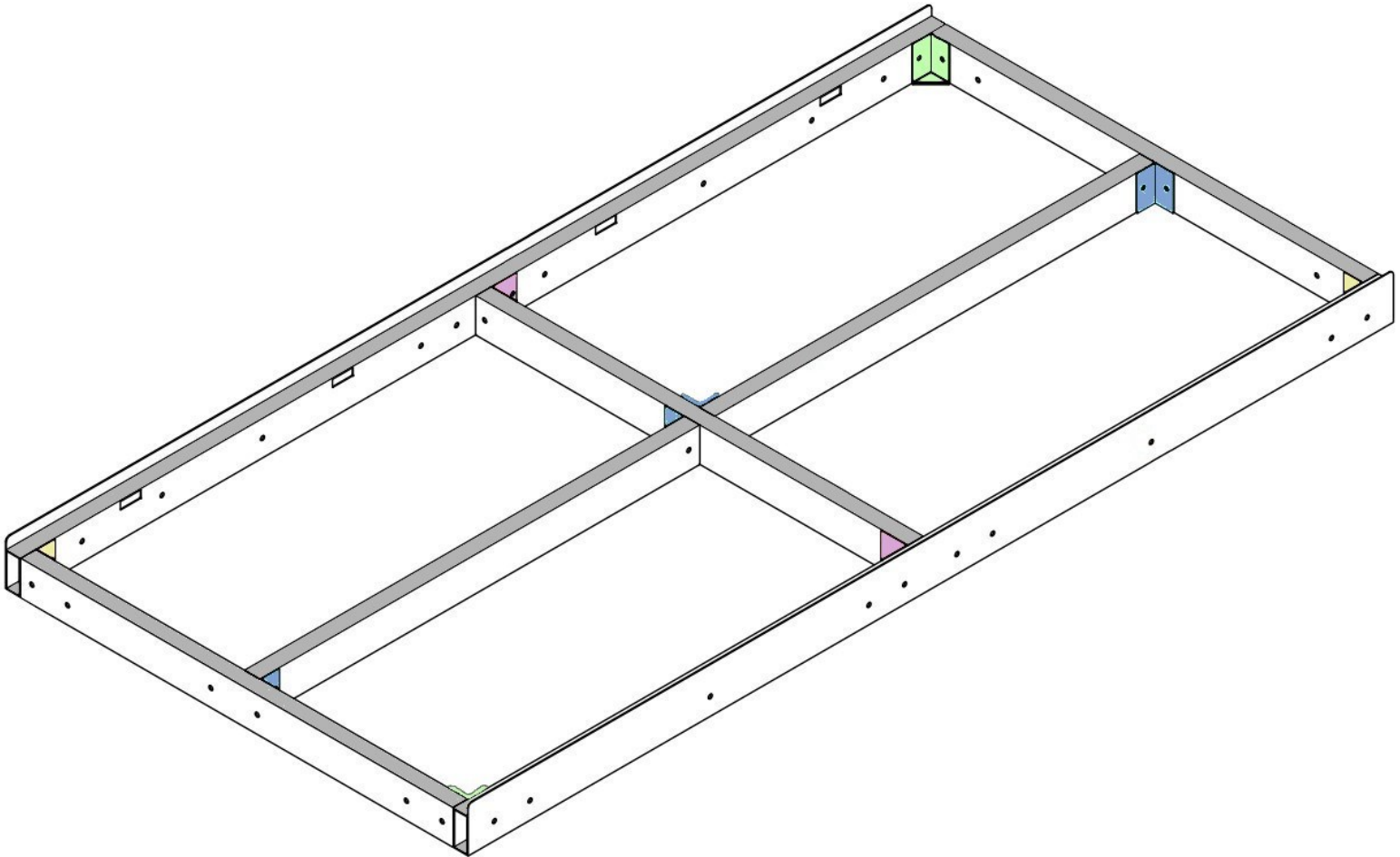




4'x8' Ramp Assembly

Instructions



Tools Required: 14mm Wrench (9/16" substitute), 15mm Wrench (5/8" substitute)

Shore Ramp Layout

Step 1

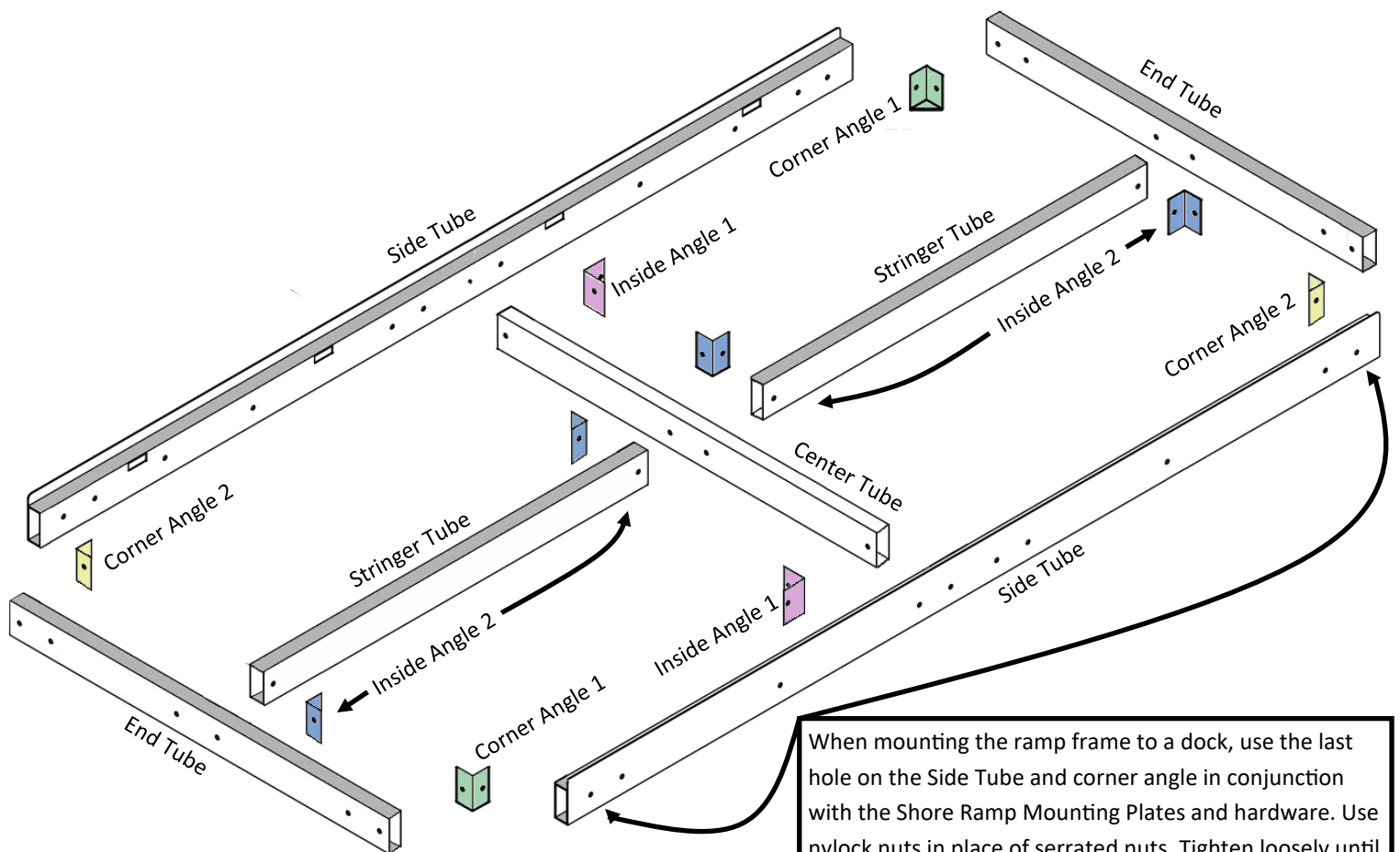
Unwrap shore ramp frame and components. Lay out the pieces as shown below.

** All corner brackets have an A leg and B leg. The A leg is always orientated along the length of the frame while the B leg is orientated along the width of the frame. **

** Corner Angles have gussets welded inside. There are two unique pairs, each pair are used in crosswise corners. **

Step 2

Use M10x60mm bolts to loosely assemble the frame using the ten aluminum angles referenced. Once frame is assembled, tighten bolts firmly.



When mounting the ramp frame to a dock, use the last hole on the Side Tube and corner angle in conjunction with the Shore Ramp Mounting Plates and hardware. Use nylock nuts in place of serrated nuts. Tighten loosely until ramp is in position, once in desired position, nuts can be firmly tightened.