

# 4-Step Ladder

Assembly Instructions

PN 10827



## RECOMMENDED TOOLS



Wrenches or sockets:  
M14 (or 13/32")  
M15 (or 5/8")



Cordless Drill  
7/16" Drill Bit



Rubber Mallet



Screwdriver  
(Phillips)



Work Gloves

\*Requires Mounting hole in dock frame be drilled out.



Scan for Online Help:  
FAQ, Online support



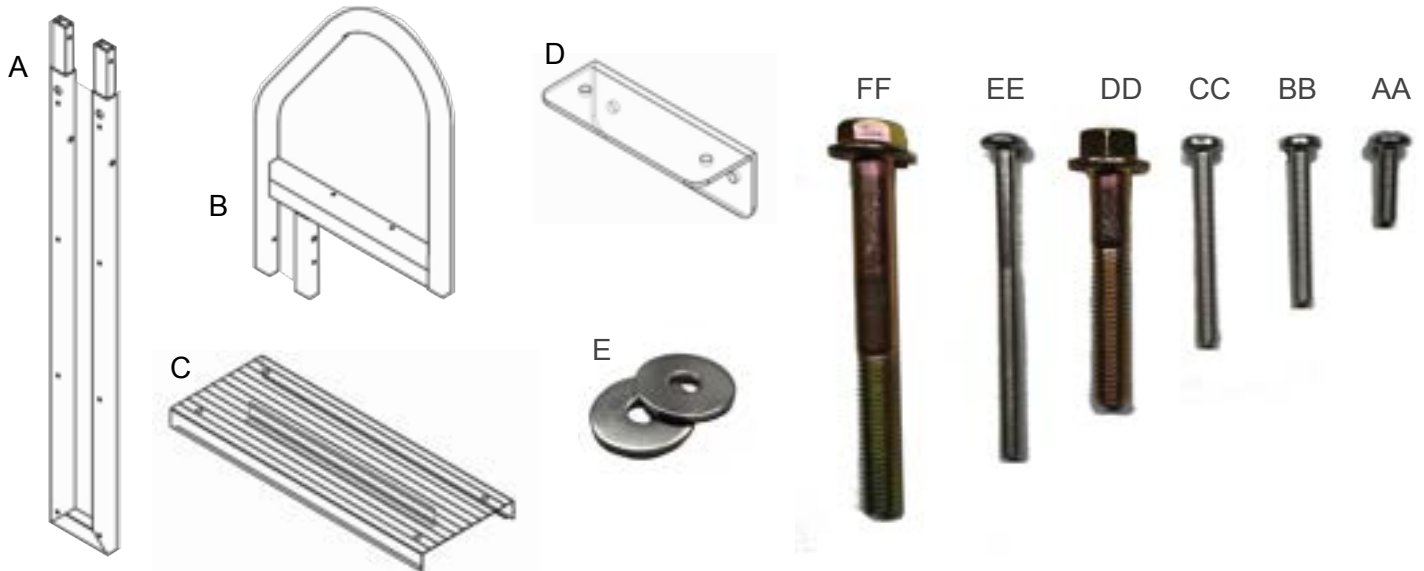
(651) 674-2450

info@patriotdocks.com

# 4-Step Ladder

## Components

	Part Number	Description	Qty.
A	10827-12	Ladder Frame	2
B	10827-11	Shepherd Handle	2
C	10827-3	Step Board	4
D	10827-2	Step Bracket	8
E	NA	Pinch Plate/Fender Washers - Low Profile only	2



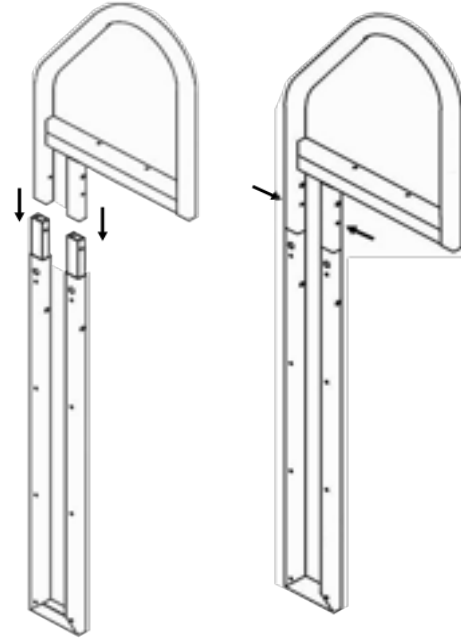
	Size	Description	Qty
AA	M6x20mm	Fasten Step Boards to Step Brackets	16
BB	M6x40mm	Fastens Step Bracket to Ladder Frame	16
CC	M6x50mm	Secures Ladder Frame to Shepherd Handle	4
DD	M10x60mm	Mounting Assembled Ladder to Truss Frame	4
EE	M6x80mm	Low Profile only - Mount to Pinch Plate	2
FF	M10x90mm	Low Profile only - Mounting Assembled Ladder to Low Profile Frame	2



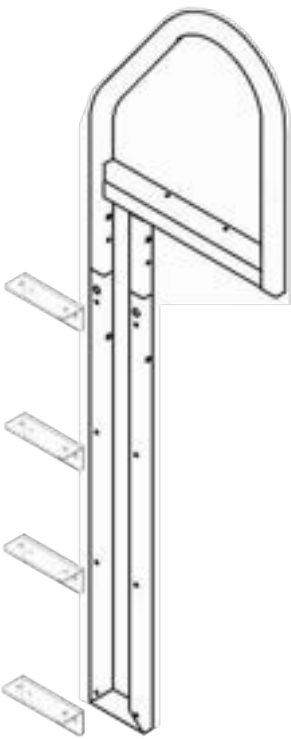
# 4-Step Ladder

## Assembly Instructions

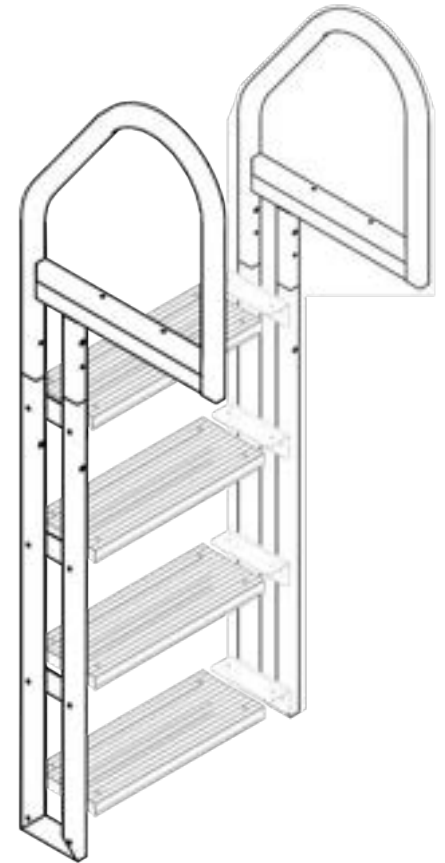
- 1 Join the Ladder Frame (A) to the Shepherd Handle (B) by sleeving the Shepherd Handle over the insert on the end of the Ladder Frame. Secure using two M6x50mm bolts/nuts. Repeat for second side.



- 2 Mount the Step Brackets (D) to the Ladder Frame by aligning the pre-drilled holes and fastening with M6x40mm bolts/nuts (BB). Repeat for second side.



- 3 The Step Boards (C) will sleeve over the Step Bracket (D) and are fastened using two M6x20mm bolts/nuts (AA) on each side of the Step Board. Attach each Step Board to one of the Side Frame assemblies then position the second Side Frame assembly inside the Step Boards, tighten all bolts/nuts to complete assembly.



### 4 Mount the ladder to the dock frame.

#### Mounting to Truss Frame:

To mount the 4-Step Ladder to PN10800 Patriot Truss Frame first choose the desired location. Align one side with the 7/16" holes in the vertical angle on the Truss Side Frame. Mark the hole locations on the opposite side of the ladder, set ladder aside and drill 7/16" holes. Mount Ladder using four M10x60mm mounting bolts (DD).

Tip: Each box will come with a template built into it, cut out template and use to mark mounting hole locations. Some templates may be damaged during shipping, if so use original method above.



#### Mounting to Low Profile Frame:

To mount the 4-Step Ladder to PN10835 Low Profile Frame first choose the desired location. Some things to consider when choosing your location. The Shepherd Handle must line up with the open gaps in the 4'x4' deck panel. This is so you can run a bolt through and attach the Pinch Plate (E). Once location is determined place ladder on frame, use pre-drilled mounting hole if available. If none are available mark hole locations and drill 7/16" holes. Mount ladder using M10x90mm bolt/nuts (FF). Next, secure ladder to decking using Pinch Plate (E) under the Shepherd Handles and the decking. Secure Pinch Plate to the Shepherd Handle using M6x80mm bolt/nuts (EE).



#### Mounting to a Wood Dock:

To mount the 4-Step Ladder to a wooden dock, choose desired location and either mark and pre-drill 7/16" holes for mounting with bolts/nuts or us 3/8" lag screws. The 4-Step Ladder also has mounting holes in the Shepherd Handles for fastening between deck boards or directly to the deck board for added support.

