

# Hinge Kit

Assembly Instructions

Truss Hinge Kit (PN 10845)  
Low Profile Hinge Kit (PN 10847)

## RECOMMENDED TOOLS



Wrenches or sockets:  
M14 (or 9/16")  
M15 (or 5/8")



Cordless Drill



Screwdriver  
(Phillips)



Work Gloves

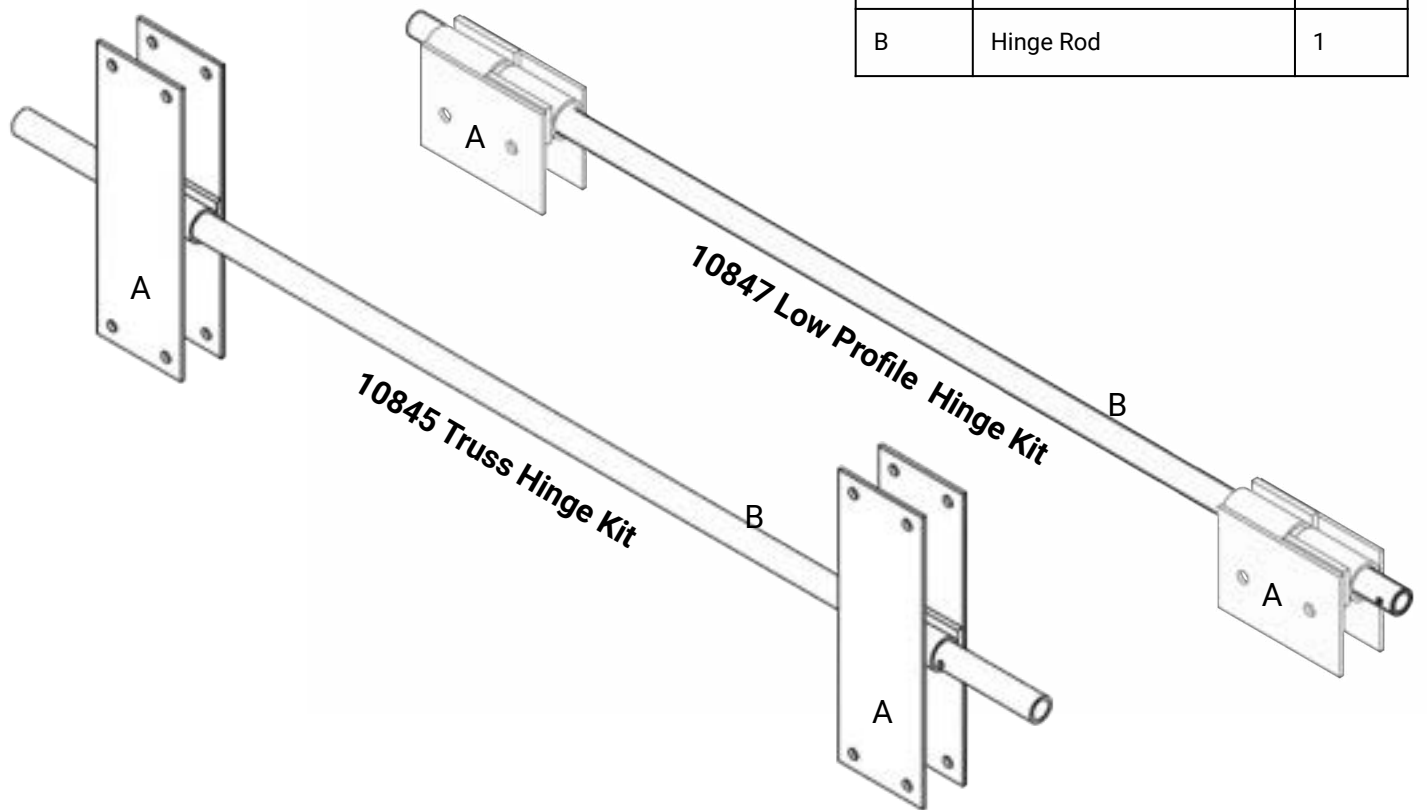


Rubber Mallet



# Hinge Kit

## Components



PARTS		
	DESCRIPTION	QTY
A	Hinge Brackets	4
B	Hinge Rod	1

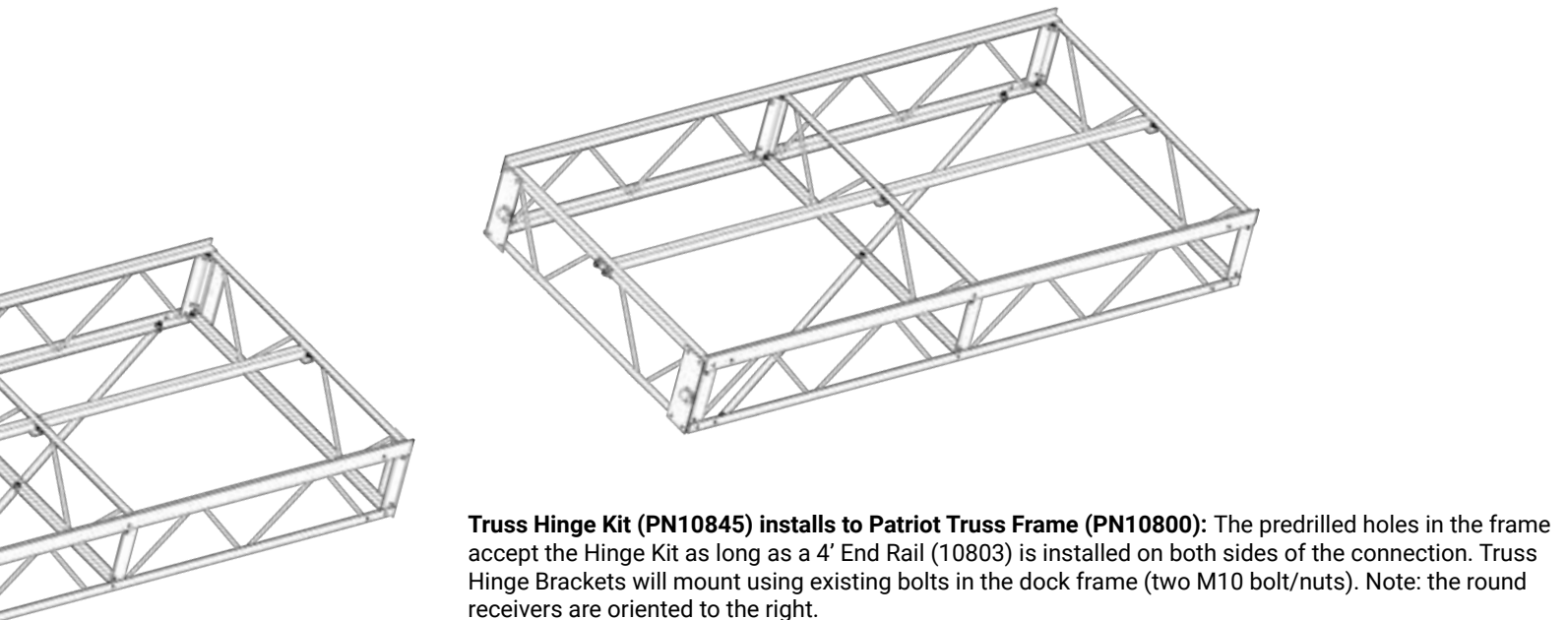
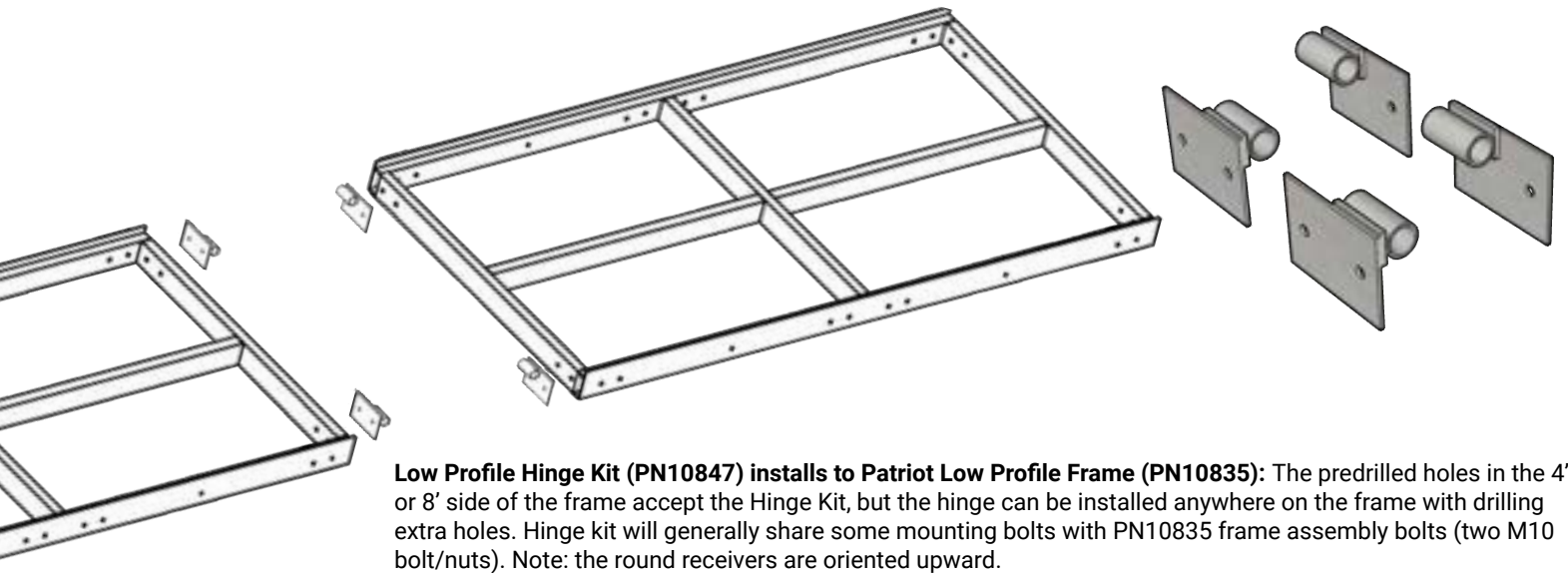
HARDWARE		
	DESCRIPTION	QTY
AA	M10x50mm Flange Bolt	8
BB	M10 Serrated Flange Nut	8
CC	M6x30mm Button Head Bolt (Phillips)	2
DD	M6 Nyloc Nut	2



# Hinge Kit

## Assembly Instructions

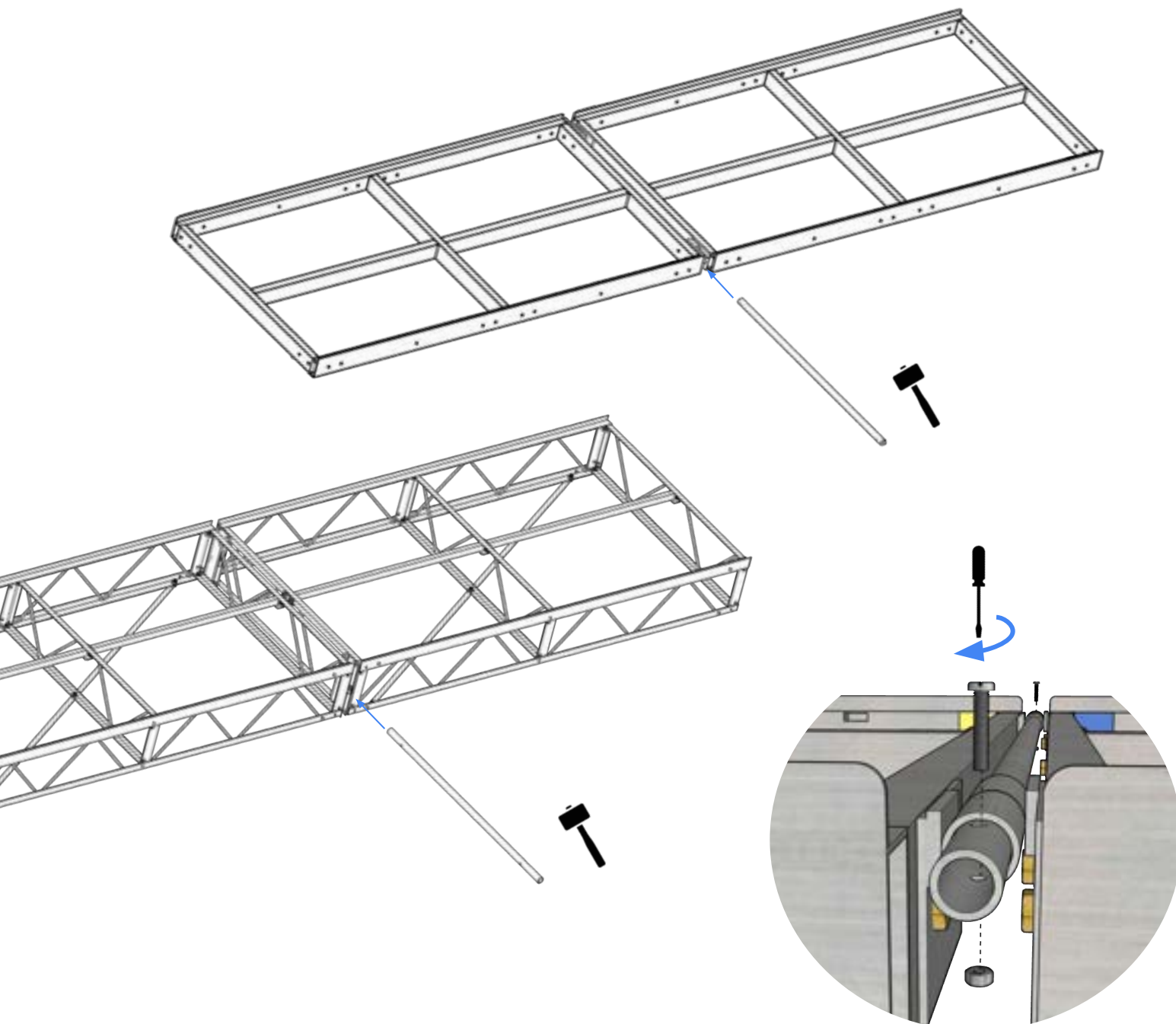
- 1 Install (4) Hinge Kit Brackets to the dock frame on both sides of the connection. The round receivers and align with one another when frames are joined.



# Hinge Kit

## Assembly Instructions

- 2 Bring the frames together and align the hinge brackets. Insert the Hinge Pipe through the sleeves on the hinge plates. A rubber mallet may help to tap the rod in place.



- 3 Secure in place by inserting (2) M6 bolt/nut through the pre-drilled hole in each side of the hinge pipe.

